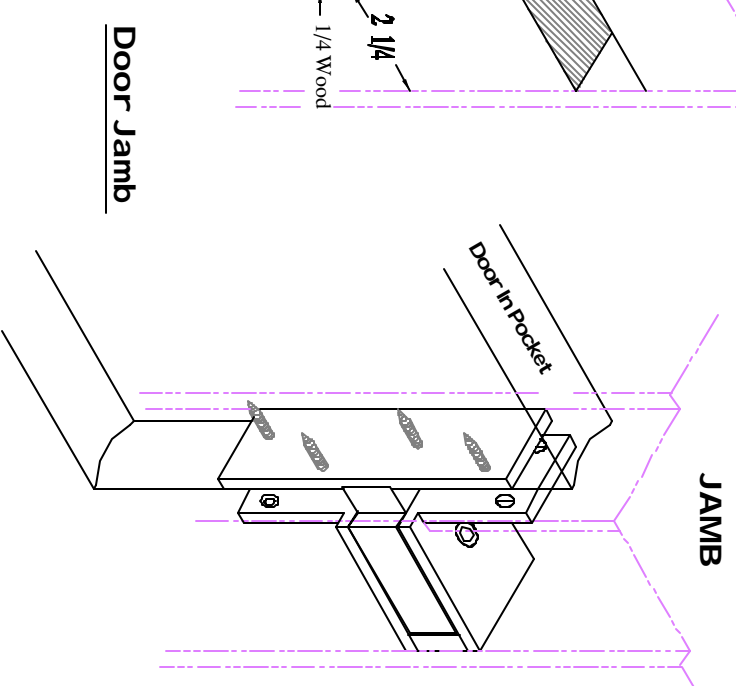
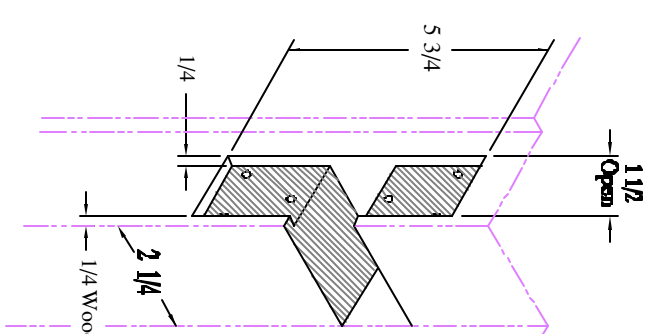
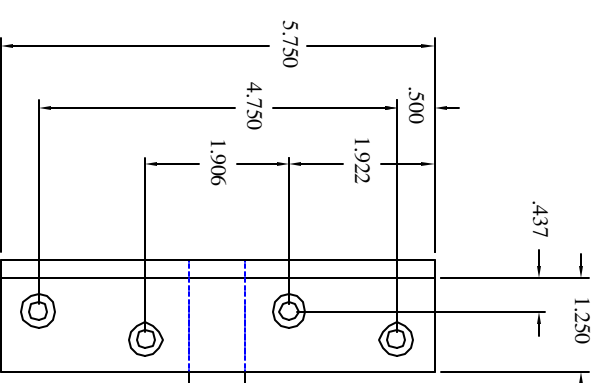
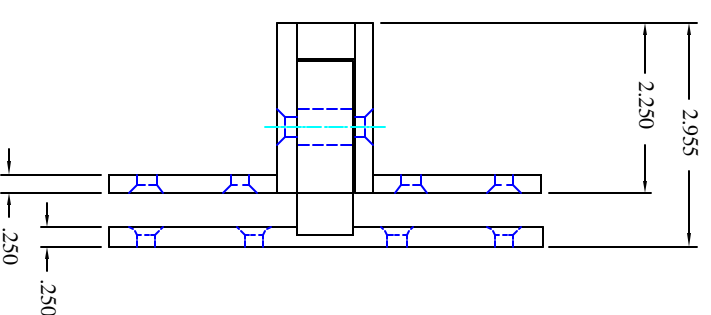
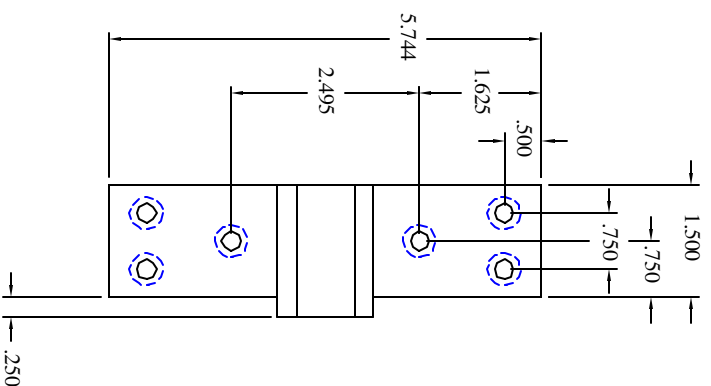
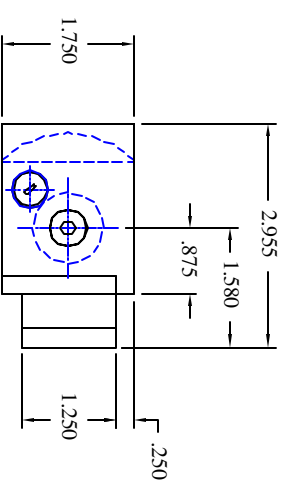


# ACCURATE LOCK AND HARDWARE CO. LLC.

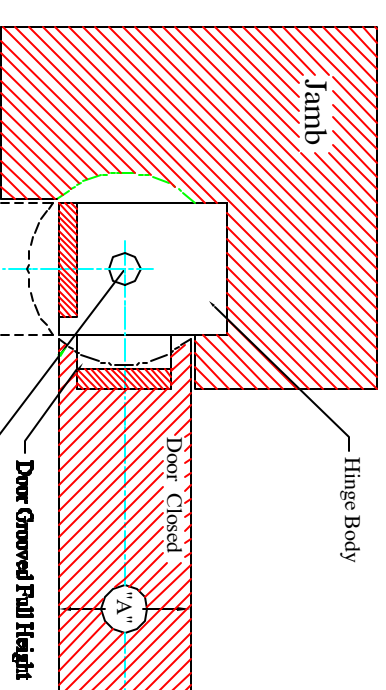
Manufactures of  
CUSTOM LOCKS AND ARCHITECTURAL HARDWARE

## HARMON HINGE INSTALLATION TEMPLATE 1 3/4" THK. DOOR

ANNIE PLACE, STAMFORD, CT. 06902  
(203) 348-8865 FAX (203) 348-5234  
E-MAIL: [Accurate1h@aol.com](mailto:Accurate1h@aol.com)  
[www.Accurate.to](http://www.Accurate.to)



**Door Jamb**



Dimensions	
Door Size	1.75"
$\text{A}^{\text{R}}$	1.75"
$\text{B}^{\text{R}}$	.875"
$\text{R}^{\text{R}}$	1.282"

ACCURATE Template Harmon Hinge is made to conform to this drawing  
Machine Screw Size - 3/4 x 12-24 F.H  
Wood Screw Size - 1-1/4 x 12 F.H