

24R Flush Pulls

Premium flush pulls made out of solid brass or bronze and finished as required

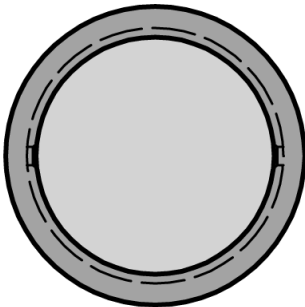
For use on 1 3/8", 1 3/4" or thicker doors—Please specify

Available in four functions to work with the #2000, #2001, #2002 sliding/pocket door locks:

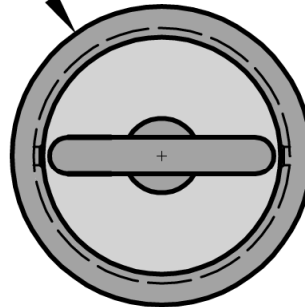
- 24RB (blank / passage)
- 24RC (for use with cylinders)
- 24RE (ER key)
- 24RT (thumb turn)



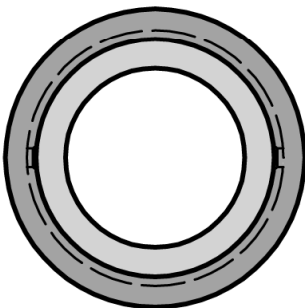
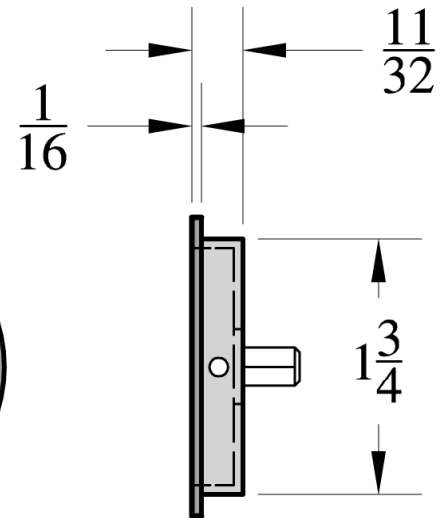
Ø2



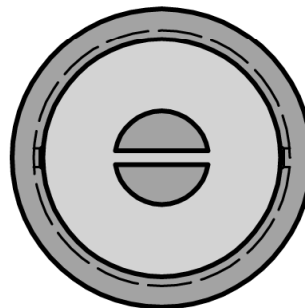
24RB



24RT



24RC



24RE