

#1000 Knob Latch

2 3/4" backset standard, 3" backset offered
(Custom backsets also available)

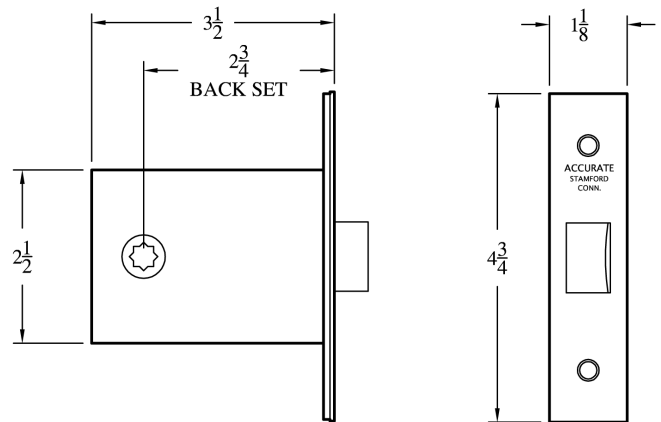
LATCHBOLT:
1/2" throw

HUB:
Bronze, for 5/16" spindle

MATERIAL:
Bronze front and bolts-Annealed gray iron case, japanned inside and outside

FRONT:
Flat front, reversible-Beveled front to order, specify hand

STRIKE:
Wrought brass or bronze



Conforms to Federal Specification FF-H-106a, Type 185

#1003 Knob Latch

2 1/2" backset

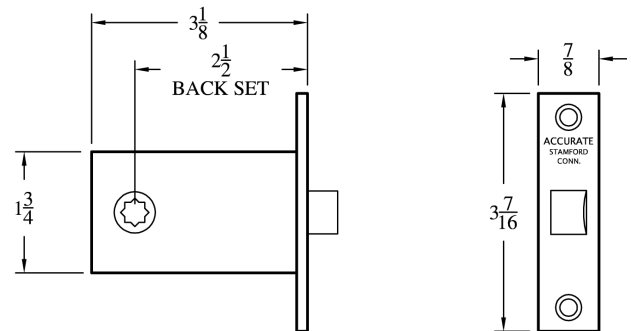
LATCHBOLT:
7/16" throw

HUB:
Bronze, for 5/16" spindle

MATERIAL:
Bronze front and bolts-Annealed gray iron case, japanned inside and outside

FRONT:
Flat front, reversible

STRIKE:
Wrought brass or bronze. ASA strike available to order.



Conforms to Federal Specification FF-H-106a, Type 184

#1016 Knob Latch

2 3/4" backset

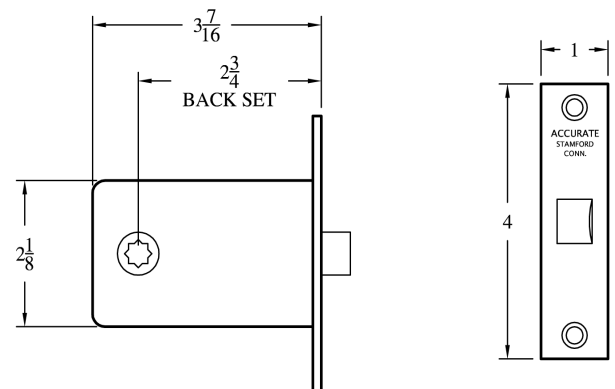
LATCHBOLT:
7/16" throw

HUB:
Bronze, for 5/16" spindle

MATERIAL:
Bronze front and bolts-Annealed gray iron case, japanned inside and outside

FRONT:
Flat front, reversible. Beveled front to order, specify hand.

STRIKE:
Wrought brass or bronze.



Conforms to Federal Specification FF-H-106a, Type 184